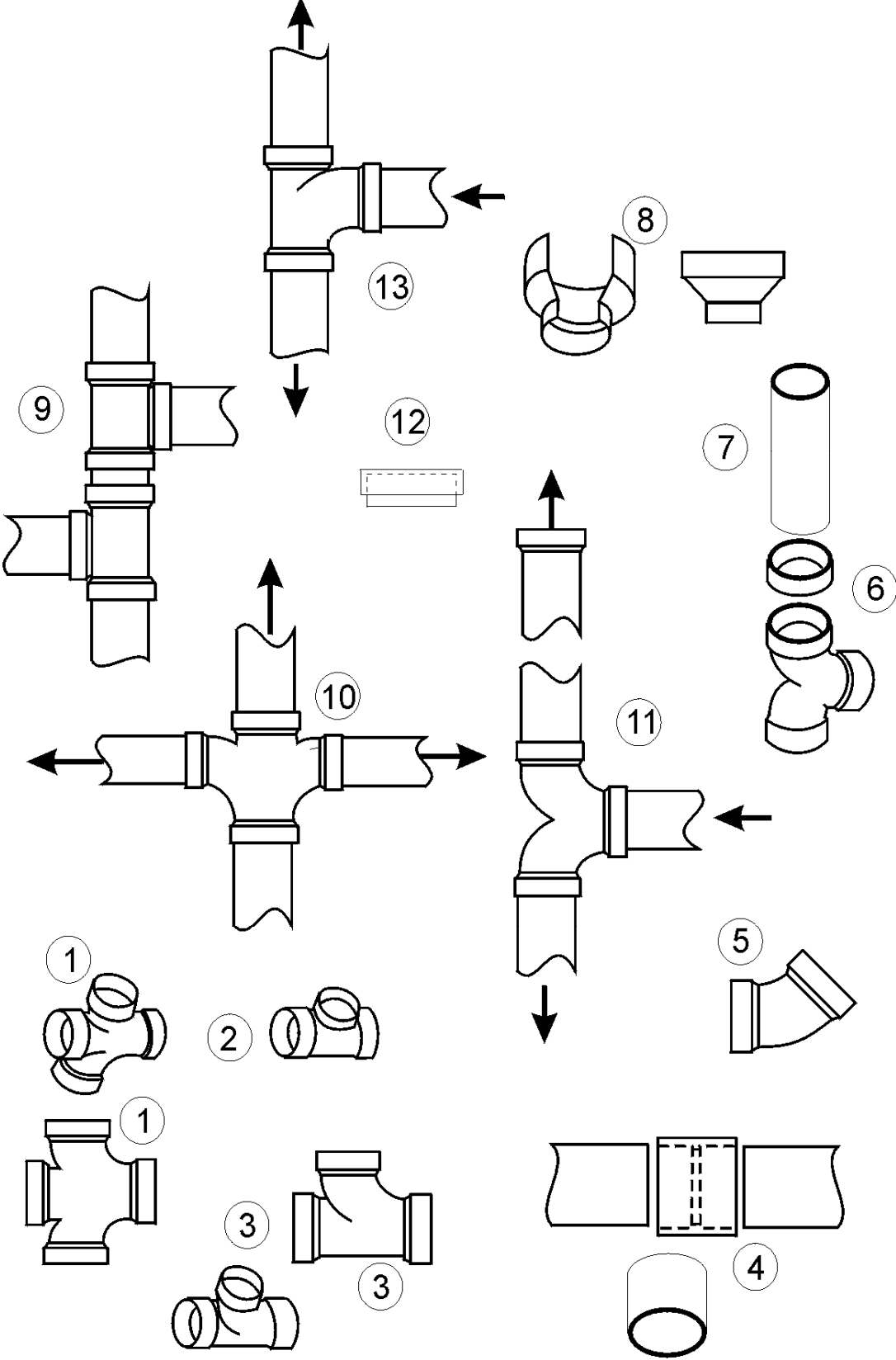


Appendix O VI



Various Pipe Fittings

Pipe Fittings (refer to diagrams on previous page)

(1) Double sanitary tee or sanitary cross – used to extend lateral from the manifold as shown in diagrams (1) and (10). Available with all hubs equal or with side hubs reduced- Example: 2" X 1 1/2" (reduced from 2 inches to 1 1/2 inches).

(2) And (9) Standard tee or vent tee – used to connect delivery pipe to manifold, to connect the first or last pair of laterals to the manifold, or to connect opposing laterals to the manifold, as shown in diagram (9). When opposing tees are used to connect laterals to the manifold, laterals will be slightly offset. Available with all hubs equal or with side hub reduced – example: 3" X 2".

(3) Sanitary tee – appears to have a “Y” type of configuration: has the same use as the standard tee.

(4) Coupling – used to connect sections of pipe. The standard coupling has a “lip” inside (shown by dotted lines) so that each pipe extends into the coupling an equal distance. Also available is a “repair coupling” which has no lip inside. The repair coupling is placed over one piece of pipe, back from the end; solvent is applied to the two pipe ends, the pipes are aligned, and the repair coupling is slid forward and centered over the joint. The coupling is especially useful to repair pipes which are already in place.

(5) Elbows or bends – available in 90° (or quarter turn), 60° (or one-sixth bend), 45° (or one-eighth bend), and 22 1/2° (or one-sixteenth bend).

(6) Bushing, sleeve, or adaptor – used to reduce the inside diameter of a fitting hub to match a smaller pipe. The most common use would be to reduce manifold fittings to lateral sizes. Example: Four inches. A typical bushing installation is shown in diagram (7).

(8) Reducer or increase coupling – used to increase or decrease pipe diameter in delivery pipes, manifolds; or can be used in the same manner as a bushing although not as practical.

(11) Double 90° elbow or long sweep tee – can be used in the same manner as a standard tee or sanitary tee; shown in diagram (11) as the connection of the last laterals to the manifold.

(12) End cap – cemented in place, used to cap the ends of the laterals. A fitting and threaded cap may also be used.

(13) Sanitary tee manifold connection – typical method of connection of the delivery pipe to the manifold, or laterals to manifold. A standard tee or double 90° elbow serves as the same purpose.

Use of fittings is not restricted to the fittings shown or the design of each fitting. The diagrams are provided only as examples.